

# L1500



## The new L1500

is the latest wireless camera transmitter from Link Research.

**This new unit operating in a range of frequency bands allows you to choose to either have HD or SD transmission from the same unit.**

The modular design of this transmitter will allow you to start from a standard SD transmitter and add camera control and HD capability as and when you require and change frequency bands by simply swapping RF modules in the field as needed.

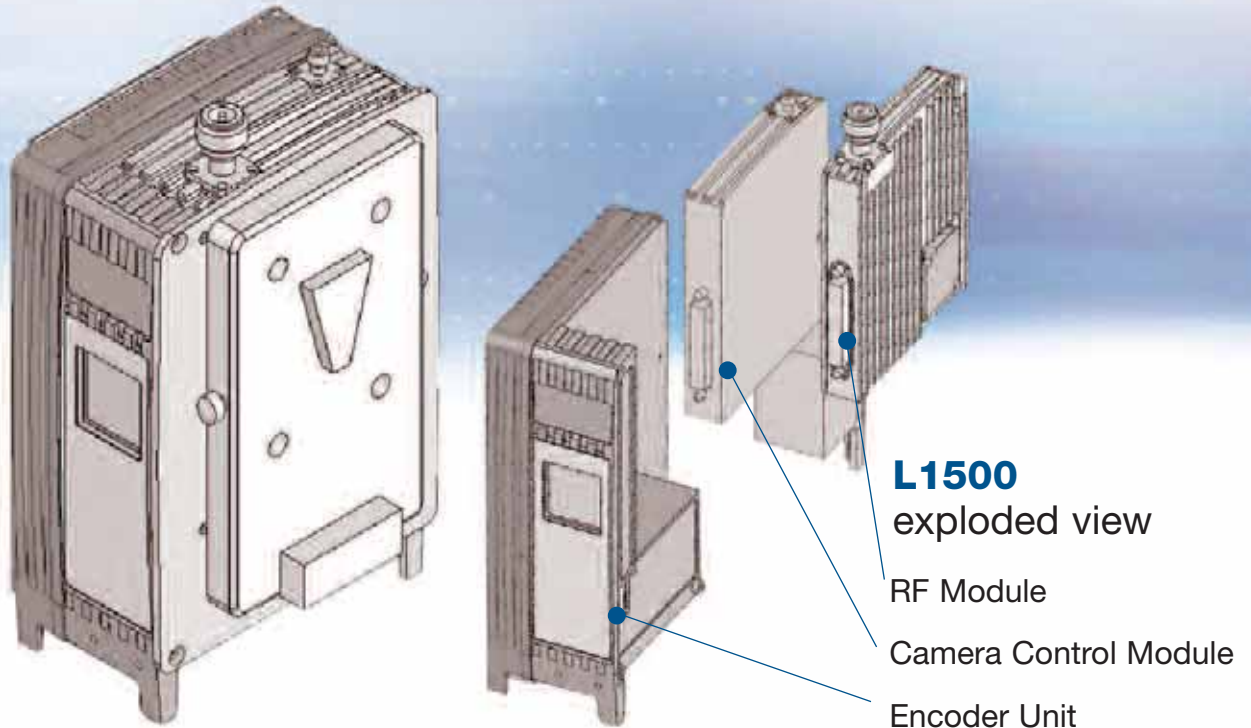
Standard IDX, PAG or Anton Bauer camera and battery mounts can be specified to allow the transmitter to be used with your own SD or HD cameras.

The following features are included:

- DVB-T
- 10MHz / 20MHz LMS-T (Link Modulation Scheme)
- HD video encoding
- SD video encoding
- BISS
- 4:2:2
- Low delay

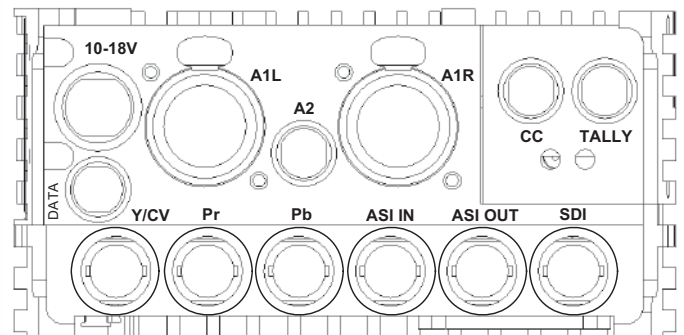
They may be individually disabled if there is a requirement to limit the features of the unit for a particular application.

# L1500



## Specification

<b>Inputs:</b>	SD Analogue Composite Video SD Analogue Component Video SD-SDI HD-SDI ASI
<b>Audio Inputs:</b>	Analogue Audio (4 Mono / 2 Stereo) Line or Mic
<b>Outputs:</b>	SDI 4 Embedded Audio Channels Multi-band RF outputs up to 250 mW (in FCC countries) ASI output
<b>Control:</b>	LCD panel Serial RS232 USB
<b>Frequency Range:</b>	1.95 – 2.7GHz 3.2 – 3.6GHz 6.425 – 7.125GHz 6.8 – 7.54GHz Other Frequencies available on request
<b>Camera Control:</b>	UHF 410 - 450 or 450 - 490MHz
<b>Encryption:</b>	BISS 1 & E
<b>Modulation:</b>	DVB T - QPSK / 16QAM / 64QAM LMS-T 10MHz / 20MHz
<b>Dimensions:</b>	(without battery plate) 62.2 (D) x 183 (H) x 120 (W) mm
<b>Weight:</b>	1.1Kg (1.2Kg with camera control)
<b>Power Consumption:</b>	26.5W in HD (28W with camera control)



## rentEvent

veranstaltungsproduktion gmbh

Gneisenaustraße 66  
10961 Berlin  
Tel. + 49 (30) 473 759-60  
Tel. + 49 (30) 473 759-77

[www.rentevent.net](http://www.rentevent.net)

Link Research Ltd.  
Century House  
2 Century Court,  
Tolpits Lane,  
Watford, Herts. WD18 9RS  
United Kingdom

**T: +44 (0)1923 474060**  
**F: +44 (0)1923 474093**  
Support: **+44 (0)1923 474099**  
**sales@linkres.co.uk**  
**www.linkres.co.uk**

Specification may change.